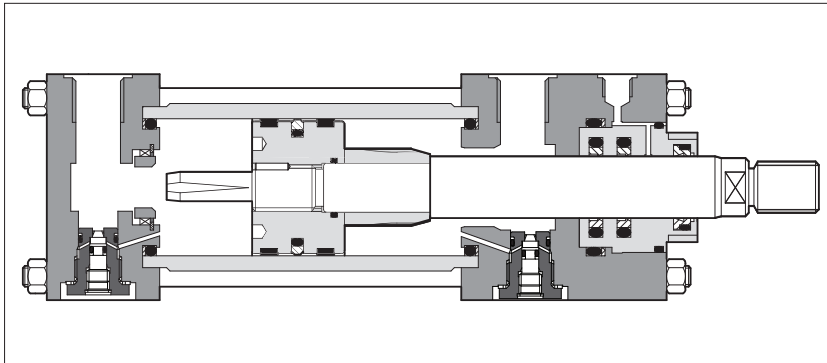


Hydraulic cylinders type CK - square heads with tie rods

to ISO 6020-2 - nominal pressure 16 MPa (160 bar) - max 25 MPa (250 bar)



DVC Cylinder Designer

The configuration and options of CK cylinders are easily selectable with the DVC software. Once the cylinder code is correctly defined using the configurator tool, the relevant 3D modelling and imaging are immediately available for the user.

CK cylinders have engineered double acting construction, designed to suit the requirements of industrial applications: top reliability, high performances and long working life.

- Bore sizes from **25 to 200 mm**
- Up to **3** rod diameters per bore
- Strokes up to **5000 mm**
- **Quick deliveries**, see section [4]
- Single or double rod
- Rods and tie rods with rolled threads
- **16** standard mounting styles
- **6** seals options
- Adjustable or fixed cushionings
- Optional built-in position transducer, see tab. B310
- Attachments for rods and mounting styles, see tab. B500

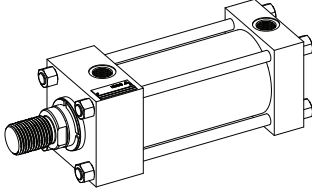
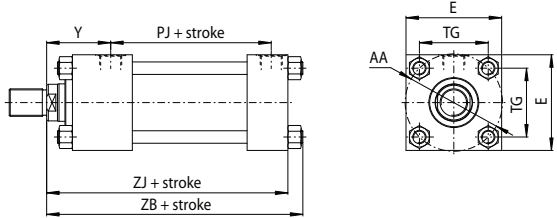
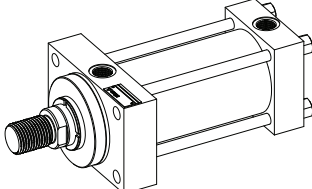
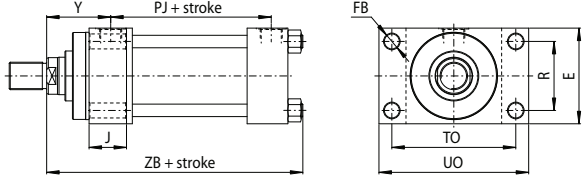
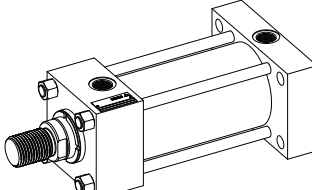
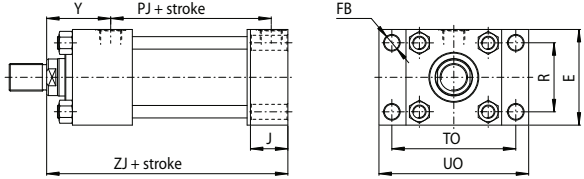
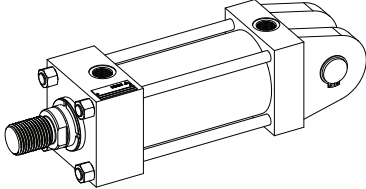
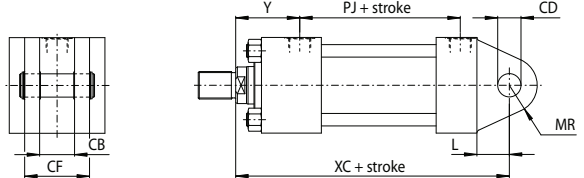
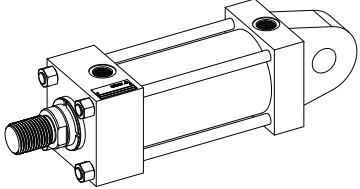
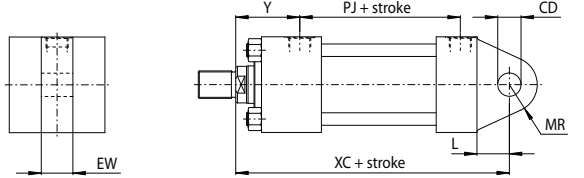
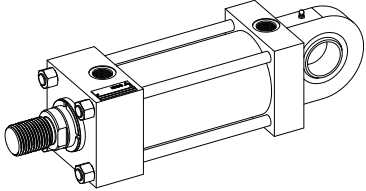
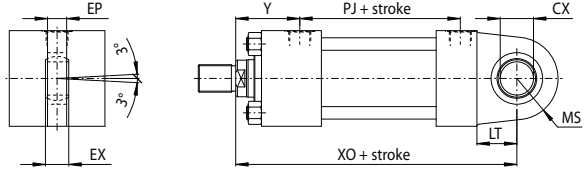
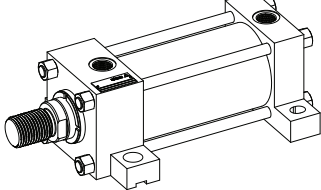
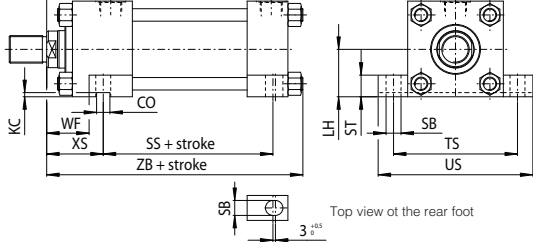
For cylinder's choice and sizing criteria see tab. B015.

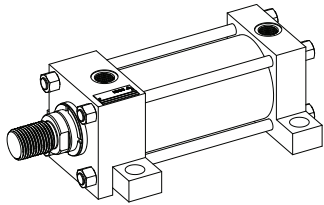
1 MODEL CODE

CK		P / 10 - 50 / 22 / 22* 0500 - S				3	0	1	- A -	B1E3X1Z3	**																																
CYLINDER SERIES CK to ISO 6020 - 2																																											
ROD POSITION TRANSDUCER F = magnetosonic M = magnetosonic programmable P = potentiometric V = inductive Dimensions and performances see tab. B310																																											
INCORPORATED SUBPLATE , see section [15] Omit if not requested 10 = size 06 20 = size 10 30 = size 16 40 = size 25																																											
BORE SIZE , see section [3] from 25 to 200 mm																																											
ROD DIAMETER , see sections [6] and [9] from 12 to 140 mm																																											
SECOND ROD DIAMETER for double rod, see section [10] Omit if not requested from 12 to 140 mm																																											
STROKE , see section [4] up to 5000 mm. Quick deliveries available for selected strokes																																											
MOUNTING STYLE , see sections [2] and [3]																																											
<table border="0"> <tr> <td>C = fixed clevis</td> <td>MP1 *</td> <td>P = rear flange</td> <td>ME6 *</td> </tr> <tr> <td>D = fixed eye</td> <td>MP3 *</td> <td>S = fixed eye + spherical bearing</td> <td>MP5 *</td> </tr> <tr> <td>E = feet</td> <td>MS2</td> <td>T = threaded hole+tie rods extended</td> <td>MX7</td> </tr> <tr> <td>G = front trunnion</td> <td>MT1</td> <td>V = rear tie rods extended</td> <td>MX2</td> </tr> <tr> <td>H = rear trunnion</td> <td>MT2 *</td> <td>W = both end tie rods extended</td> <td>MX1</td> </tr> <tr> <td>K = feet with key (Ø 25÷63)</td> <td>-</td> <td>X = basic execution</td> <td>-</td> </tr> <tr> <td>L = intermediate trunnion</td> <td>MT4**</td> <td>Y = front tie rods extended</td> <td>MX3</td> </tr> <tr> <td>N = front flange</td> <td>ME5</td> <td>Z = front threaded holes</td> <td>MX5</td> </tr> </table>		C = fixed clevis	MP1 *	P = rear flange	ME6 *	D = fixed eye	MP3 *	S = fixed eye + spherical bearing	MP5 *	E = feet	MS2	T = threaded hole+tie rods extended	MX7	G = front trunnion	MT1	V = rear tie rods extended	MX2	H = rear trunnion	MT2 *	W = both end tie rods extended	MX1	K = feet with key (Ø 25÷63)	-	X = basic execution	-	L = intermediate trunnion	MT4**	Y = front tie rods extended	MX3	N = front flange	ME5	Z = front threaded holes	MX5										
C = fixed clevis	MP1 *	P = rear flange	ME6 *																																								
D = fixed eye	MP3 *	S = fixed eye + spherical bearing	MP5 *																																								
E = feet	MS2	T = threaded hole+tie rods extended	MX7																																								
G = front trunnion	MT1	V = rear tie rods extended	MX2																																								
H = rear trunnion	MT2 *	W = both end tie rods extended	MX1																																								
K = feet with key (Ø 25÷63)	-	X = basic execution	-																																								
L = intermediate trunnion	MT4**	Y = front tie rods extended	MX3																																								
N = front flange	ME5	Z = front threaded holes	MX5																																								
* Not available for double rod ** XV dimension must be indicated in the model code, see section [3] - note (5)																																											
		HEADS' CONFIGURATION (2), see section [13] Oil ports positions B* = front head X* = rear head Cushioning adjustments positions, to be entered only if adjustable cushionings are selected E* = front head Z* = rear head * = selected position, (1, 2, 3 or 4)																																									
		OPTIONS (2): Rod end, see section [6] F = female thread G = light female thread H = light male thread Oversized oil ports, see section [11] D = front oversized oil port Y = rear oversized oil port Proximity sensors, see section [18] R = front sensor S = rear sensor Rod treatment, see section [9] K = nickel and chrome plating T = induction surface hardening and chrome plating Air bleeds, see section [16] A = front air bleed W = rear air bleed Draining, see section [17] L = rod side draining																																									
		SEALING SYSTEM , see section [14] 1 = (NBR + POLYURETHANE) high static and dynamic sealing 2 = (FKM + PTFE) very low friction and high temperatures 4 = (NBR + PTFE) very low friction and high speeds 6 = (NBR + PTFE) very low friction, single acting - pushing 7 = (NBR + PTFE) very low friction, single acting - pulling 8 = (NBR + PTFE and POLYURETHANE) low friction																																									
		SPACER , see section [5] 0 = none 2 = 50 mm 4 = 100 mm 6 = 150 mm 8 = 200 mm																																									
		CUSHIONINGS , see section [12] 0 = none Fast adjustable 1 = rear only 2 = front only 3 = front and rear Slow adjustable 4 = rear only 5 = front only 6 = front and rear Fast fixed 7 = rear only 8 = front only 9 = front and rear																																									

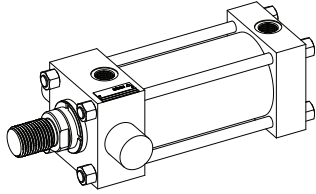
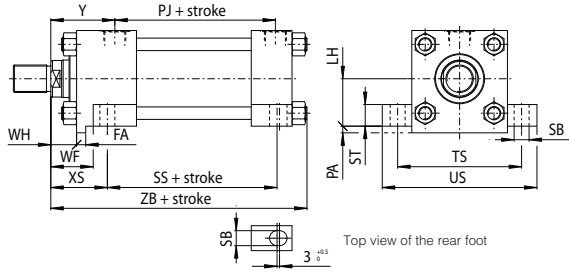
Notes:
 (1) For spare parts request always indicate the series number printed on the nameplate
 (2) To be entered in alphabetical order

2 MOUNTING STYLE - for dimensions see section **3**

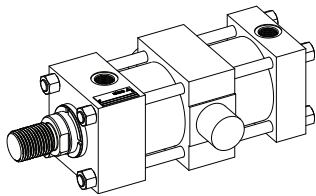
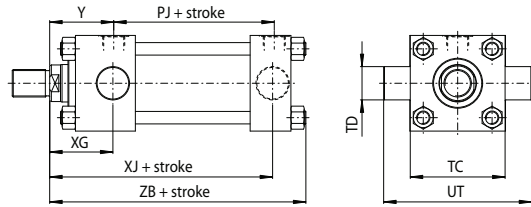
 <p>X = basic mounting</p>	
 <p>N (ISO ME5) = front flange mounting</p>	
 <p>P (ISO ME6) = rear flange mounting</p>	
 <p>C (ISO MP1) = fixed clevis mounting - supplied with pivot pin C-145</p>	
 <p>D (ISO MP3) = fixed eye mounting</p>	
 <p>S (ISO MP5) = fixed eye with spherical bearing mounting</p>	
 <p>E (ISO MS2) = side feet mounting</p>	 <p>Top view of the rear foot</p>



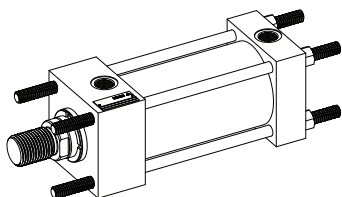
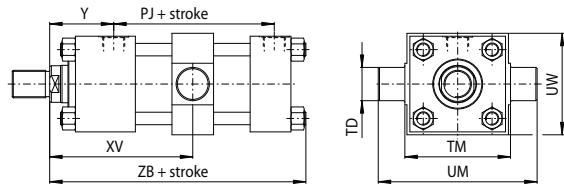
K = feet with key mounting (only for bores 25÷63)



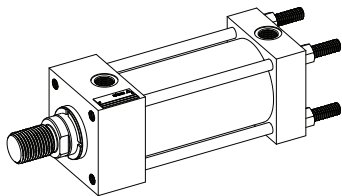
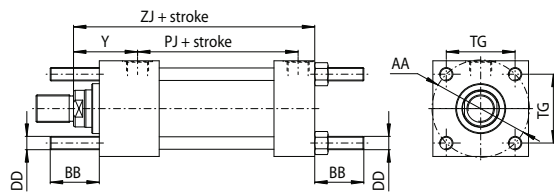
G (ISO MT1) = front trunnion mounting (*)
H (ISO MT2) = rear trunnion mounting
 (*) see figure



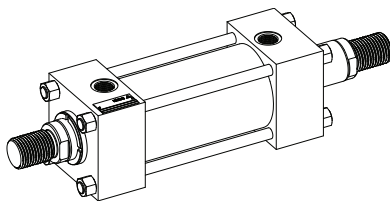
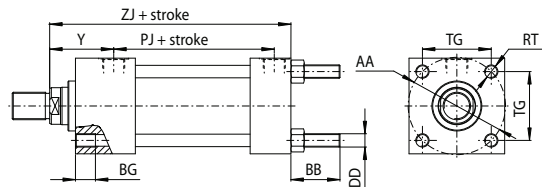
L (ISO MT4) = intermediate trunnion mounting



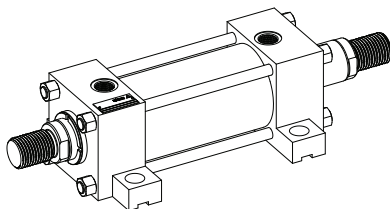
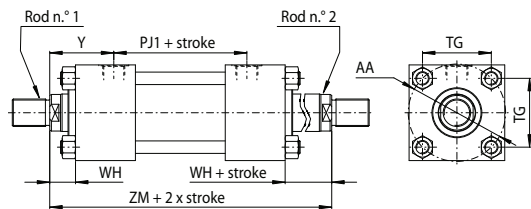
V (ISO MX2) = rear tie rods extended mounting
Y (ISO MX3) = front tie rods extended mounting
W (ISO MX1) = both end tie rods extended mounting (*)
 (*) see figure



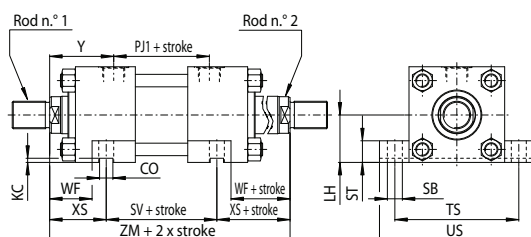
Z (ISO MX5) = front threaded holes mounting
T (ISO MX7) = threaded holes with tie rods extended mounting (*)
 (*) see figure



X = basic mounting for double rod



E = feet mounting for double rod

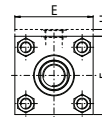


3 INSTALLATION DIMENSIONS [mm] - see figures in section **2**

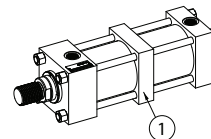
Ø Bore		25	32	40	50	63	80	100	125	160	200
Ø Rod	standard	12	14	18	22	28	36	45	56	70	90
	intermediate	NA	NA	22	28	36	45	56	70	90	110
	differential	18	22	28	36	45	56	70	90	110	140
AA		40	47	59	74	91	117	137	178	219	269
BB		19	24	35	46	46	59	59	81	92	115
BG min		8	9	12	18	18	24	24	27	32	40
CB A13		12	16	20	30	30	40	50	60	70	80
CD H9		10	12	14	20	20	28	36	45	56	70
CF		24	32	40	60	60	80	100	120	140	160
CO N9		NA	NA	12	12	16	16	16	20	30	40
CX	value	12	16	20	25	30	40	50	60	80	100
	tolerance	0 -0,008		0 -0,012				0 -0,015			0 -0,02
DD 6g		M5x0,8	M6x1	M8x1	M12x1,25	M12x1,25	M16x1,5	M16x1,5	M22x1,5	M27x2	M30x2
E (1)		40	45	63	75	90	115	130	165	205	245
EP		8	11	13	17	19	23	30	38	47	57
EW h14		12	16	20	30	30	40	50	60	70	80
EX		10	14	16	20	22	28	35	44	55	70
FA -0,075		8	8	8	14	14	NA	NA	NA	NA	NA
FB H13		5,5	6,6	11	14	14	18	18	22	26	33
H (2)		5	5	NA	NA	NA	NA	NA	NA	NA	NA
J		25	25	38	38	38	45	45	58	58	76
L		13	19	19	32	32	39	54	57	63	82
LH h10		19	22	31	37	44	57	63	82	101	122
LT min		16	20	25	31	38	48	58	72	92	116
KC min		NA	NA	4	4,5	4,5	5	6	6	8	8
M (3)		1000	1200	1500	1800	2300	3000	3500	3500	3500	3500
MR max		12	17	17	29	29	34	50	53	59	78
MS max		20	22,5	29	33	40	50	62	80	100	120
PA -0,2		5	5	5	8	8	NA	NA	NA	NA	NA
PJ (4)		53	56	73	74	80	93	101	117	130	165
PJ1		54	58	71	73	81	92	101	117	130	160
PJ2 (4)		52,5	57,5	75,5	76,5	79	94	101	117	NA	NA
R js13		27	33	41	52	65	83	97	126	155	190
RT		M5x0,8	M6x1	M8x1,25	M12x1,75	M12x1,75	M16x2	M16x2	M22x2,5	M27x3	M30x3,5
SB H13		6,6	9	11	14	18	18	26	26	33	39
SS		73	73	98	92	86	105	102	131	130	172
ST js13		8,5	12,5	12,5	19	26	26	32	32	38	44
SV		88	88	105	99	93	110	107	131	130	172
TC h14		38	44	63	76	89	114	127	165	203	241
TD f8		12	16	20	25	32	40	50	63	80	100
TG js13		28,3	33,2	41,7	52,3	64,3	82,7	96,9	125,9	154,9	190,2
TM h14		48	55	76	89	100	127	140	178	215	279
TO js13		51	58	87	105	117	149	162	208	253	300
TS js13		54	63	83	102	124	149	172	210	260	311
UM		68	79	108	129	150	191	220	278	341	439
UO max		65	70	110	130	145	180	200	250	300	360
US		72	84	103	127	161	186	216	254	318	381
UT		58	68	95	116	139	178	207	265	329	401
UW		45	50	70	88	98	127	141	168	205	269
XC		127	147	172	191	200	229	257	289	308	381
XG		44	54	57	64	70	76	71	75	75	85
XJ		101	115	134	140	149	168	187	209	230	276
XO		130	148	178	190	206	238	261	304	337	415
XS		33	45	45	54	65	68	79	79	86	92
XV (5)	style L minimum stroke	5	5	5	15	20	20	35	35	35	35
	min	77	90	100	109	120	129	148	155	161	195
	max	75+stroke	86+stroke	99+stroke	98+stroke	100+stroke	115+stroke	117+stroke	134+stroke	141+stroke	166+stroke
Y (4)		50	60	62	67	71	77	82	86	86	98
Y1 (4)		50	59	61,5	65	71	75	82	86	NA	NA
ZB max		121	137	166	176	185	212	225	260	279	336
ZJ		114	128	153	159	168	190	203	232	245	299
ZM		154	178	195	207	223	246	265	289	302	356

NOTES TO TABLE 3

- (1) **E** - If not otherwise specified in the figures in section **2**, this value is the front and rear square heads dimension for all the mounting styles (see figure below)
- (2) **H** - This additional dimension has to be considered only for bores 25 and 32



- (3) **M** - For strokes longer than M, one or more intermediate tie rods supports (1) are fitted on the cylinder housing to maintain the radial tension on the tie rods, thus keeping them rigidly fixed to the cylinder housing. The support has the same overall dimensions of the square heads as indicated in note (1)



- (4) When oversized oil ports are selected (see section **11** and **13** for dimensions and position) dimensions **PJ** and **Y** are respectively modified into **PJ2** and **Y1**
- (5) **XV** - For cylinders with mounting style **L** the stroke must always exceed the minimum values reported in the table. The requested XV value must be included between **XV min** and **XV max** and it must be always indicated, with dimension in millimeters, together with the cylinder code. See the following example:

CK - 50 / 22 * 0500 - L301 - D - B1E3X1Z3
XV = 200

4 STROKE SELECTION

Stroke has to be selected a few mm longer than the working stroke, to prevent to use the cylinder heads as mechanical stroke-end.

Standard strokes to ISO 4393

25	50	80	100	125	160	200	250
320	400	500	630	800	1000	1250	

- Maximum stroke:
- 3000 mm for bores up to 32 mm
 - 5000 mm for other bores

- Stroke tolerances:
- 0 +1,2 mm for strokes up to 1000 mm
 - 0 +2,5 mm for longer strokes

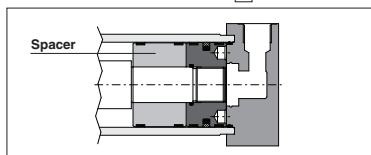
QUICK DELIVERIES

Available for cylinders without options with:

- bores within 25 - 80 mm
- standard or differential rods
- bolt character strokes in the above table

5 SPACER

For strokes longer than 1000 mm, proper spacers have to be introduced in the cylinder's construction to increase the rod and piston guide and to protect them from overloads and premature wear. Spacers can be omitted for cylinders working in traction mode. The introduction of spacers increases the overall cylinder's dimensions: spacers' length has to be added to all stroke dependent dimensions in section **3**.



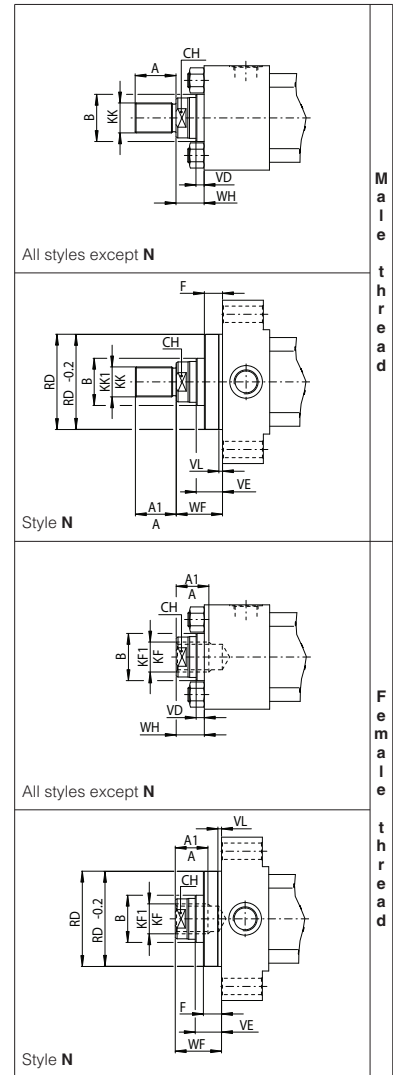
RECOMMENDED SPACERS [mm]

Stroke	1001 ÷ 1500	1501 ÷ 2000	2001 ÷ 2500	2501 ÷ 5000
Spacer code	2	4	6	8
Length	50	100	150	200

6 ROD END DIMENSIONS [mm]

Ø Bore	Ø Rod	Male thread		Female thread		A (KK or KF)	A1 (KK1 or KF1)	B	CH	F	RD	VD	VE	VL	WF	WH
		KK 6g	KK1 (option H) 6g	KF (option F) 6H	KF1 (option G) 6H											
25	12	M10x1,25	NA	M8x1	NA	14	NA	24	10	10	38	6	16	3	25	15
	18	M14x1,50	M10x1,25	M12x1,25	M8x1	18	14	30	15	10	38	6	16	3	25	15
32	14	M12x1,25	NA	M10x1,25	NA	16	NA	26	12	10	42	12	22	3	35	25
	22	M16x1,50	M12x1,25	M16x1,5	M10x1,25	22	16	34	19	10	42	9	19	3	35	25
40	18	M14x1,50	NA	M12x1,25	NA	18	NA	30	15	10	62	6	16	3	35	25
	22(*)	M16x1,50	NA	M16x1,5	NA	22	NA	34	19	10	62	12	22	3	35	25
	28	M20x1,50	M14x1,5	M20x1,5	M12x1,25	28	18	42	22	10	62	12	22	3	35	25
50	22	M16x1,50	NA	M16x1,5	NA	22	NA	34	19	16	74	9	25	4	41	25
	28(*)	M20x1,50	NA	M20x1,5	NA	28	NA	42	22	16	74	9	25	4	41	25
	36	M27x2	M16x1,5	M27x2	M16x1,50	36	22	50	30	16	74	9	25	4	41	25
63	28	M20x1,50	NA	M20x1,5	NA	28	NA	42	22	16	75	13	29	4	48	32
	36(*)	M27x2	NA	M27x2	NA	36	NA	50	30	16	88	13	29	4	48	32
	45	M33x2	M20x1,5	M33x2	M20x1,50	45	28	60	39	16	88	13	29	4	48	32
80	36	M27x2	NA	M27x2	NA	36	NA	50	30	20	82	9	29	4	51	31
	45(*)	M33x2	NA	M33x2	NA	45	NA	60	39	20	105	9	29	4	51	31
	56	M42x2	M27x2	M42x2	M27x2	56	36	72	48	20	105	9	29	4	51	31
100	45	M33x2	NA	M33x2	NA	45	NA	60	39	22	92	10	32	5	57	35
	56(*)	M42x2	NA	M42x2	NA	56	NA	72	48	22	125	10	32	5	57	35
	70	M48x2	M33x2	M48x2	M33x2	63	45	88	62	22	125	10	32	5	57	35
125	56	M42x2	NA	M42x2	NA	56	NA	72	48	22	105	10	32	5	57	35
	70(*)	M48x2	NA	M48x2	NA	63	NA	88	62	22	150	7	29	5	57	35
	90	M64x3	M42x2	M64x3	M42x2	85	56	108	80	22	150	7	29	5	57	35
160	70	M48x2	NA	M48x2	NA	63	NA	88	62	25	125	7	32	5	57	32
	90(*)	M64x3	NA	M64x3	NA	85	NA	108	80	25	170	7	32	5	57	32
	110	M80x3	M48x2	M80x3	M48x2	95	63	133	100	25	170	7	32	5	57	32
200	90	M64x3	NA	M64x3	NA	85	NA	108	80	25	150	7	32	5	57	32
	110(*)	M80x3	NA	M80x3	NA	95	NA	133	100	25	210	7	32	5	57	32
	140	M100x3	M64x3	M100x3	M64x3	112	85	163	128	25	210	7	32	5	57	32

(*) Not included in ISO standards



7 CYLINDER'S HOUSING FEATURES

The cylinder's housings are made in "cold drawn and stressed steel" with $R_s = 450 \text{ N/mm}^2$; the internal surfaces are lapped: diameter tolerance H8, roughness $R_a \leq 0,25 \mu\text{m}$.

8 TIE RODS FEATURES

The cylinder's tie rods are made in "normalized automatic steel" with $R_s = 610 \text{ N/mm}^2$; end-threads are rolled to improve the fatigue working life. They are screwed to the heads or mounted by means of nuts with a prefixed tightening torque MT, see the table at side.

9 RODS FEATURES and options

The rods materials have high strength, which provide safety coefficients higher than 4 in static stress conditions, at maximum working pressure. The rod surface is chrome plated: diameter tolerances f7; roughness $R_a \leq 0,25 \mu\text{m}$. Corrosion resistance of 100 h in neutral spray to ISO 9227 NSS

Ø Rod	Material	Rs min [N/mm ²]	Chrome	
			thickness [mm]	hardness [HV]
12÷90	hardened and tempered alloy-steel	700	0,020	850-1150
110÷140	alloy steel	450		

Rod diameters from 12 to 70 mm have rolled threads; in rolling process the component material is stressed beyond its yield point, being deformed plastically. This offers many technical advantages: higher profile accuracy, improved fatigue working life and high wear resistance. The rod and piston are mechanically coupled by a threaded connection in which the thread on the rod is at least equal to the external thread KK, indicated in the table [6]. The piston is screwed to the rod by a prefixed tightening torque in order to improve the fatigue resistance. The stop pin ① avoids the piston unscrewing. **Contact our technical office** in case of heavy duty applications.

Rod corrosion resistance and hardness can be improved selecting the options **K** and **T**:
K = Nickel and chrome-plating (only for rods from 22 to 110 mm, for pressure up to 100 bar)
 Corrosion resistance (rating 10 to ISO 10289):

- 350 h in acetic acid salt spray to ISO 9227 AASS
- 1000 h in neutral spray to ISO 9227 NSS

T = Induction surface hardening and chrome plating (only for rods up to 140 mm)
 • 56-60 HRC (613-697 HV) hardness

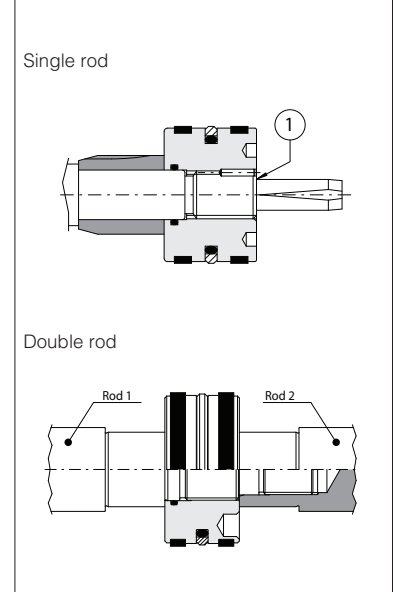
10 DOUBLE ROD

Double rod cylinders ensure the same pushing and pulling areas, thus the same speeds and forces. Rod2 (see figure at side) is screwed into the male thread of Rod1, consequently the Rod2 is weaker than the other and it's strongly recommended to use this one only to compensate the areas; the stronger rod is identified by the number '1' stamped on its end. For double rod cylinders, rod end dimensions indicated in section [6] are valid for both the rods.

TIE RODS TIGHTENING TORQUES

Ø Bore	25	32	40	50	63
MT [Nm]	5	9	20	70	70
Wrench	8	10	13	19	19
Ø Bore	80	100	125	160	200
MT [Nm]	160	160	460	820	1160
Wrench	24	24	32	41	46

ROD-PISTON COUPLING



11 OIL PORTS AND ROD SPEEDS

The fluid speed in pipings connected to the cylinder oil ports should not exceed 6 m/s in order to minimize the turbulence flow, the pressure drop and water hammer. The table below shows the max recommended rod speed relative to 6 m/s flow velocity.

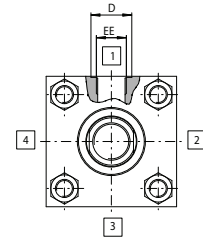
In high dynamic systems the rod can reach even higher speeds (after a careful check of dampable masses, **see tab. B015**): in these cases it is recommended to use piping's diameters larger than the cylinder oil ports and to introduce proper reductions just near the cylinder oil ports.

Ø Bore	D [mm]	Standard oil ports			Oversized oil ports D, Y options		
		EE	Internal pipe Ø[mm]	Rod speed V [m/s]	EE	Internal pipe Ø[mm]	Rod speed V [m/s]
25	21	G 1/4	7	0,47	G 3/8	10	0,96
32	21	G 1/4	7	0,29	G 3/8	10	0,58
40	25	G 3/8	10	0,37	G 1/2	13	0,64
50	29	G 1/2	13	0,40	G 3/4	15	0,54
63	29	G 1/2	13	0,26	G 3/4	15	0,34
80	36	G 3/4	15	0,21	G 1	19	0,34
100	36	G 3/4	15	0,13	G 1	19	0,22
125	42	G 1	19	0,14	G 1 1/4	24	0,22
160	42	G 1	19	0,08	NA	NA	NA
200	52	G 1 1/4	24	0,09	NA	NA	NA

Oil ports features are threaded according to ISO 1179-1 (GAS standards) with counter-bore dimension D.

Oversized oil ports are not available for bores 160 and 200.

Oil ports with SAE 3000 flanges are available on request, **contact our technical office.**



12 CUSHIONINGS

Cushionings are recommended for applications where: • the piston makes a full stroke with speed over than 0,05 m/s; • it is necessary to reduce undesirable noise and mechanical shocks; • vertical application with heavy loads. The stroke-end cushionings are hydraulic dampers specifically designed to dissipate the energy of the mass connected to the cylinder rod, by progressively increasing the pressure in the cushioning chamber and thus reducing the rod speed before the cylinder's mechanical stroke-end (see the graphics at side). Two types of cushioning are available depending to the rod speed V:

Slow version for $V \leq 0,5 \cdot V_{max}$

Fast version for $V > 0,5 \cdot V_{max}$

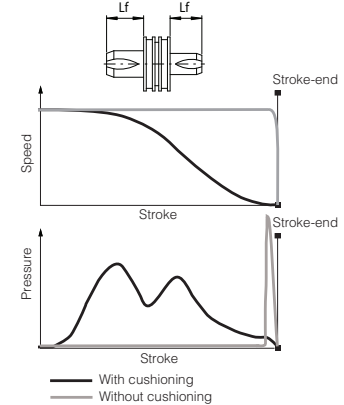
See the table below for V_{max} values and **tab. B015** for the max damping energy.

When fast or slow adjustable versions are selected, the cylinder is provided with needle valve to optimize cushioning performances in different applications. The regulating screws are supplied fully screwed in (max cushioning effect).

In case of high masses and/or very high operating speeds it is recommended to back them off to optimize the cushioning effect. The adjustment screw has a special design to prevent unlocking and expulsion. The cushioning effect is highly ensured even in case of variation of the fluid viscosity.

Ø Bore	25	32	40	50	63	80	100	125	160	200
Ø Rod	12 18	14 22	18 22 28	22 28 36	28 36 45	36 45 56	45 56 70	56 70 90	70 90 110	90 110 140
Cushioning length [mm]	Lf front	21 17	23 17	26 25	28 27	28 27	27 29	35 27	28 25	34 34
	Lf rear	13	15	27	28	30	32	32	32	41 56
V_{max} [m/s]	1	1	1	1	0,8	0,8	0,6	0,6	0,5	0,5

Lf is the total cushioning length. When the stroke-end cushionings are used as safety devices, to mechanically preserve the cylinder and the system, it is advisable to select the cylinder's stroke longer than the operating one by an amount equal to the cushioning length Lf; in this way the cushioning effect does not influence the movement during the operating stroke.



13 POSITION COMBINATION FOR OIL PORTS AND CUSHIONING ADJUSTMENTS

FRONT HEAD: **B*** = oil port position; **E*** = cushioning adjustment position REAR HEAD: **X*** = oil port position; **Z*** = cushioning adjustment position
The table below shows all the available configurations for the oil port and cushioning adjustment positions. Bolt characters identify the standard positions. Each configuration for the front head can be variously combined with any one of the rear head. Cushioning adjustment positions **E***, **Z*** have to be entered only if adjustable cushionings are selected.

Example of model code: CK-50/22 *0100-S301 - A - **B2E3X1Z4**

Mounting style	C, D, S, L								E, K		G, H		N, P		T, V, W, X, Y, Z			
	B	1	1	2	1	2	4	1	1	1	2	1	1	2	1	1	2	
FRONT HEAD	Oil port side	B	1	1	2	1	2	4	1	1	1	2●	1	1	2			
	Cushioning adjustment side	E	3	2	3	4	4	3	2	3	3	3	3	4	3			
REAR HEAD	Oil port side	X	1	1	2	1	2	4	1	1	1	2●	1	1	2			
	Cushioning adjustment side	Z	3	2	3	4	4	3	2	3	3	3	3	4	3			

● Not available for bores 25 and 32

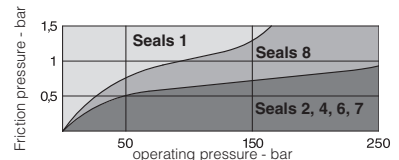
(a) Front view rod side (rod n°1 for double rods)

Contact our technical office for combinations not included in the table.

14 SEALING SYSTEM FEATURES

The sealing system must be chosen according to the working conditions of the system: speed, operating frequencies, fluid type and temperature.

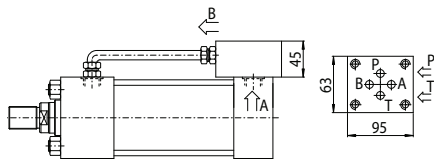
When single acting seals are selected (types **6** and **7**), the not pressurized cylinder's chamber must be connected to the tank. Special sealing system for low temperatures, high frequencies (up to 20 Hz), long working life and heavy duty are available on request. All the seals, static and dynamic, must be periodically replaced: proper spare kits are available, see section 22. Contact our technical office for the compatibility with other fluids not mentioned below and specify type and composition. See section 19 for fluid requirements.



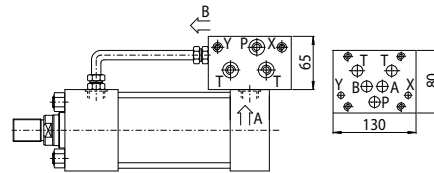
Sealing system	Material	Features	Max speed [m/s]	Fluid temperature range	Fluids compatibility	ISO Standards for seals	
						Piston	Rod
1	NBR + POLYURETHANE	high static and dynamic sealing	0.5	-20°C to 85°C	Mineral oils HH, HL, HLP, HLP-D, HM, HV	ISO 7425/1	ISO 5597/1
2	FKM + PTFE	very low friction and high temperatures	4	-20°C to 120°C	Mineral oils HH, HL, HLP, HLP-D, HM, HV, fire resistance fluids HFA, HFB, HFD-U, HFD-R	ISO 7425/1	ISO 7425/2
4	NBR + PTFE	very low friction and high speeds	4	-20°C to 85°C	Mineral oils HH, HL, HLP, HLP-D, HM, HV, MIL-H-5606 fire resistance fluids HFA, HFC (water max 45%), HFD-U	ISO 7425/1	ISO 7425/2
6 - 7	NBR + PTFE	very low friction single acting - pushing/pulling	1	-20°C to 85°C	Mineral oils HH, HL, HLP, HLP-D, HM, HV, fire resistance fluids HFA, HFC (water max 45%), HFD-U	ISO 7425/1	ISO 7425/2
8	PTFE + NBR + POLYURETHANE	low friction	1	-20°C to 85°C	Mineral oils HH, HL, HLP, HLP-D, HM, HV	ISO 7425/1	ISO 7425/2

15 INCORPORATED SUBPLATE

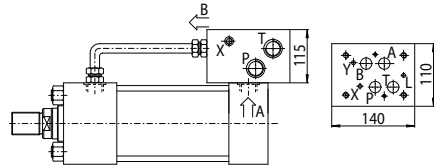
CK cylinders can be supplied with ISO (size 06, 10, 16 and 25) incorporated subplates for mounting of valves directly on the cylinder.



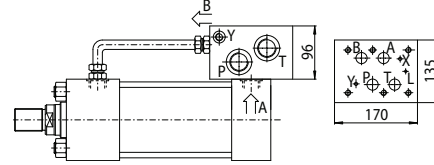
10 = subplate with mounting surface 4401-03-03-0-05 (size 06)
Oil ports P and T = G 3/8
For bores from 40 to 200 and strokes longer than 100 mm
For shorter strokes, the cylinder must be provided with suitable spacer



20 = subplate with mounting surface 4401-05-05-0-05 (size 10)
Oil ports P and T = G 3/4; X and Y = G 1/4
For bores from 40 to 200 and strokes longer than 150 mm
For shorter strokes, the cylinder must be provided with suitable spacer



30 = subplate with mounting surface 4401-07-07-0-05 (size 16)
Oil ports P and T = G 1; L, X and Y = G 1/4
For bores from 80 to 200 and strokes longer than 150 mm
For shorter strokes, the cylinder must be provided with suitable spacer



40 = subplate with mounting surface 4401-08-08-0-05 (size 25)
Oil ports P and T = G 1; L, X and Y = G 1/4
For bores from 125 to 200 and strokes longer than 150 mm
For shorter strokes, the cylinder must be provided with suitable spacer

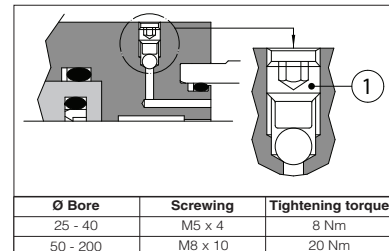
Note: for the choice of suitable spacer see section 5. The addition of spacer length and working stroke must be at least equal or upper than the minimum stroke indicated above, see the following example:
Subplate **20**; working stroke = **70** mm; min. stroke = **150** mm → select spacer **4** (length = **100**mm)

16 AIR BLEEDS

CODES: **A** = front air bleed; **W** = rear air bleed

The air in the hydraulic circuit must be removed to avoid noise, vibrations and irregular cylinder's motion: air bleed valves are recommended to realize this operation easily and safely.

Air bleeds are positioned on side 3, see section 13. For cylinders with adjustable cushionings the air bleeds are positioned on the same side of the cushioning adjustment screw. For Servocylinders, cylinders with incorporated subplates or proximity sensors, air bleeds are supplied as standard and they must not be entered in the model code. For cylinders with proximity sensors, air bleeds A, W or AW are supplied respectively depending on the selected sensors R, S or RS. For a proper use of the air-bleed (see figure on side) unlock the grub screw ① with a wrench for hexagonal head screws, bleed-off the air and retighten as indicated in table at side.



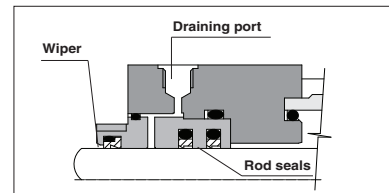
17 DRAINING

CODE: **L** = rod side draining

The rod side draining reduces the seals friction and increases their reliability; it is mandatory for cylinders with strokes longer than 2000 mm, with rod side chamber constantly pressurized and for servocylinders.

The draining is positioned on the same side of the oil port, between the wiper and the rod seals (see figure at side) and it can be supplied only with sealing system: **2, 4, 7** and **8**. It is recommended to connect the draining port to the tank without backpressure.

Draining port is G1/8.



18 PROXIMITY SENSORS

CODES: **R** = front sensor; **S** = rear sensor

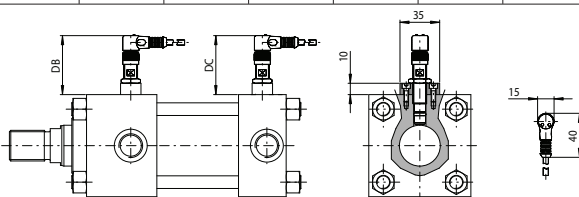
Proximity sensors functioning is based on the variation of the magnetic field, generated by the sensor itself, when the cushioning piston enters its influence area, causing a change of state (on/off) of the sensors. The distance from the mechanical stroke-end of the cylinder, at which occurs the switching of the sensor's electrical contact, can be adjusted between 1 and 3 mm. For their regulation, it is necessary to position the rod where it is desired to obtain the contact switching and rotate the sensor until its LED switch-on (commutation occurred). The sensors tightening torque must be lower than 40 N/m to avoid damages. The sensors must always be coupled with fast adjustable cushioning, see section 12, to avoid pressure peaks on stroke-end. They are positioned on side 4, see section 13. The coupling of the proximity sensors with the stroke-end cushioning imposes particular executions with limitation of the damping masses and/or speeds compared to the executions with standard cushioning.

Limitations

R, S options not available for cylinders with bores smaller than 40 mm.

R option not available for G and N mounting styles; **S** option not available for P and H mounting styles.

Ø Bore	40	50	63	80	100	125	160	200
DB max	77	75	72	74	73	71	71	67
DC	67	71	65	71	65	51	34	20

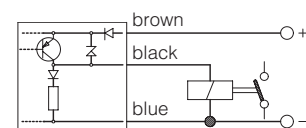


SENSORS TECHNICAL DATA

The proximity sensors are inductive type, they supply a "NO" (Normally Open) output signal which status corresponds to the rod position:

- **R, S** = close contact = 24 Volt at output contacts = rod positioned at stroke ends
- **R, S** = open contact = 0 Volt at output contacts = rod not positioned at stroke ends

Ambient temperature	-20 +70°C
Nominal voltage	24 VDC
Operating voltage	10...30 VDC
Max load	200 mA
Version	PNP
Output type	NO
Repeatability	<5%
Hysteresis	<15%
Protection	IP68
Max pressure	25 MPa (250 bar)



19 FLUID REQUIREMENTS

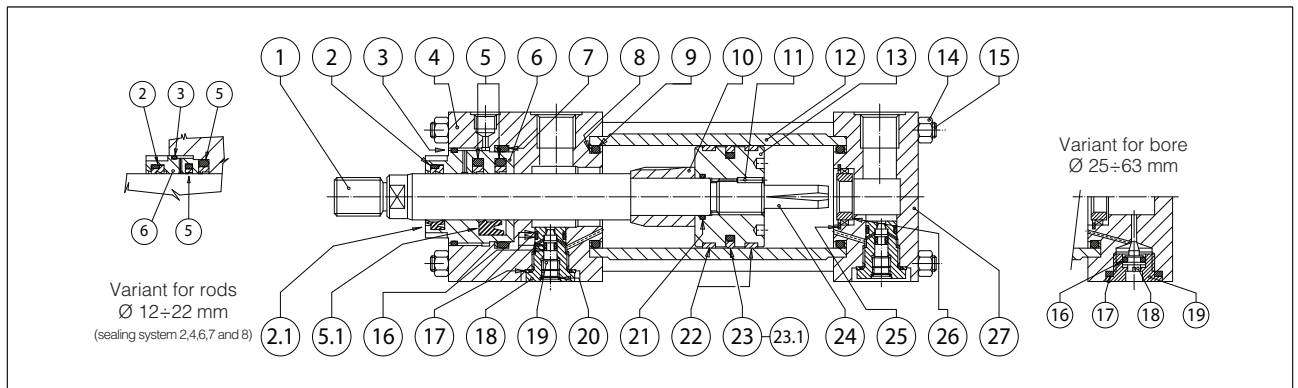
Cylinders and servocylinders are suitable for operation with mineral oils with or without additives (**HH, HL, HLP, HLP-D, HM, HV**), fire resistant fluids (**HFA** oil in water emulsion - 90-95% water and 5-10% oil, **HFB** water in oil emulsion - 40% water, **HFC** water glycol - max 45% water) and synthetic fluids (**HFD-U** organic esters, **HFD-R** phosphate esters). The fluid must have a viscosity within 15 and 100 mm²/s, a temperature within 0 and 70°C and fluid contamination class ISO 19/16 according to ISO 4406, achieved with in-line filters at 25 µm.

20 CYLINDERS MASSES [kg] (tolerance ± 5%)

Ø Bore [mm]	Ø Rod [mm]	MASS FOR STYLES X, Z Single rod		MASS FOR STYLES X, Z Double rod		ADDITIONAL MASSES according to mounting styles and options												
		Stroke 100 mm	Each added 100 mm	Stroke 100 mm	Each added 100 mm	Style C	Style D	Style E	Style G	Style K	Style L	Style N	Style P	Style S	Styles V Y	Style W	Each cushioning	Each 50 mm spacer
25	12	1,65	0,52	1,95	0,54	0,20	0,20	0,20	0,02	0,21	0,40	0,25	0,25	0,20	0,01	0,02	0,03	0,40
	18	1,80	0,63	2,40	0,70													
32	14	2,23	0,73	2,69	0,78	0,32	0,32	0,30	0,05	0,31	0,60	0,30	0,30	0,32	0,02	0,04	0,04	0,62
	22	2,51	0,91	3,21	1,04													
40	18	4,90	0,97	6,78	1,06	1,00	1,00	0,60	0,19	1,06	1,00	1,03	1,03	1,00	0,06	0,12	0,07	0,78
	22	5,15	1,10	7,19	1,27													
	28	5,40	1,24	7,60	1,49													
50	22	6,40	1,18	7,85	1,31	1,00	1,00	0,80	0,40	1,37	1,30	1,39	1,39	1,00	0,16	0,32	0,13	1,12
	28	6,59	1,37	8,23	1,69													
	36	7,20	1,68	9,45	2,17													
63	28	8,70	1,62	11,08	1,92	2,00	1,30	1,20	0,40	2,33	1,60	1,99	1,99	1,30	0,16	0,32	0,25	1,64
	36	9,13	1,93	11,94	2,54													
	45	9,80	2,39	13,64	3,72													
80	36	17,00	2,96	20,45	3,50	3,00	1,50	1,50	0,58	NA	3,10	2,97	2,97	1,50	0,34	0,68	0,40	2,78
	45	17,76	3,46	21,97	4,50													
	56	18,10	4,09	23,90	5,83													
100	45	23,80	3,90	29,85	4,90	3,50	2,50	1,80	0,78	NA	3,95	3,14	3,14	2,50	0,34	0,68	0,60	4,08
	56	24,70	4,6	32,01	6,30													
	70	26,00	5,68	35,20	8,49													
125	56	40,00	6,15	46,80	7,94	4,00	5,00	2,90	0,90	NA	7,40	4,86	4,86	5,00	0,90	1,80	1,15	6,48
	70	41,65	7,25	50,10	10,14													
	90	44,70	9,21	58,79	15,21													
160	70	74,55	9,90	85,96	12,75	7,00	9,50	4,50	2,10	NA	12,00	8,30	8,30	9,50	1,50	3,00	1,85	10,60
	90	79,31	12,12	96,08	18,28													
	110	83,90	14,34	106,20	23,81													
200	90	123,60	10,80	136,52	15,80	10,00	15,00	7,30	2,00	NA	22,00	19,90	19,90	15,00	2,50	5,00	2,50	12,30
	110	130,39	14,34	142,65	25,53													
	140	137,19	17,88	148,78	35,27													

Note: the masses related to the other options, not indicated in the table, don't have a relevant influence on the cylinder's mass

21 CYLINDER SECTION



POS.	DESCRIPTION	MATERIAL	POS.	DESCRIPTION	MATERIAL	POS.	DESCRIPTION	MATERIAL
1	Rod	Chrome plated steel	9	O-ring	NBR / FKM	19	Cushioning adjustment screw	Steel
2	Wiper	NBR / FKM and PTFE	10	Front cushioning piston	Steel	20	Seeger	Steel
2.1	Wiper (G1)	Polyurethane	11	Screw stop pin	Steel	21	O-ring	NBR / FKM
3	O-ring	NBR / FKM	12	Cylinder housing	Steel	22	Piston guide ring	PTFE or phenolic resin
4	Front head	Steel / cast iron	13	Piston	Steel	23	Piston seal	NBR / FKM and PTFE
5	Rod seal	NBR / FKM and PTFE	14	Nut	Steel	23.1	Piston seal (G1)	NBR / FKM and Polyurethane
5.1	Rod seal (type G1)	Polyurethane	15	Tie rod	Steel	24	Rear cushioning piston	Steel
6	Rod bearing	Bronze	16	O-ring and anti-extrusion ring	FKM and PTFE	25	Toroidal ring	Steel
7	O-ring and anti-extrusion ring	NBR / FKM and PTFE	17	Bonded seal	Steel and NBR	26	Rear cushioning sleeve	Bronze
8	Anti-extrusion ring	PTFE	18	Cushioning adjustment plug	Steel	27	Rear head	Steel / cast iron

22 MODEL CODE FOR SEALS SPARE PARTS

S P - G 8 - C K - 50 / 22 / 22 - 32

Seals spare code								
Sealing system								Serial number
Cylinder series								Second rod diameter for double rod [mm] Omit if not requested
Bore size [mm]								Rod diameter [mm]