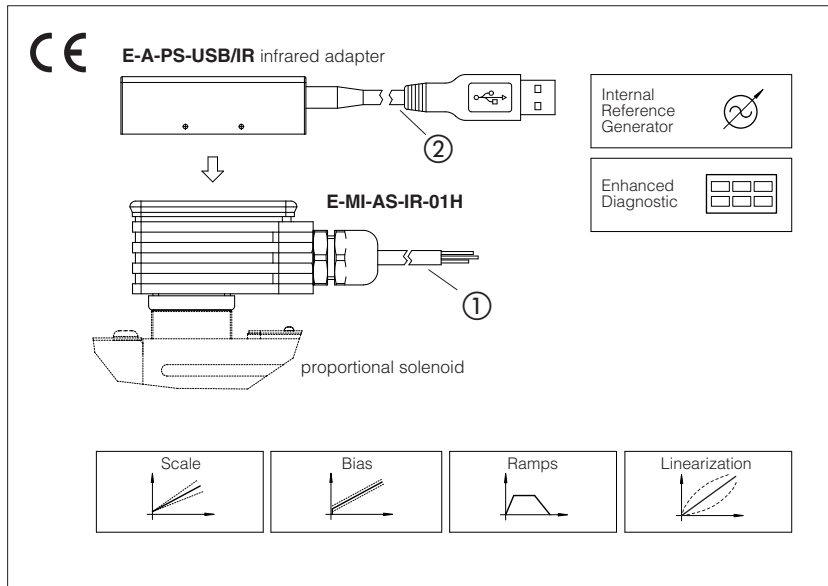
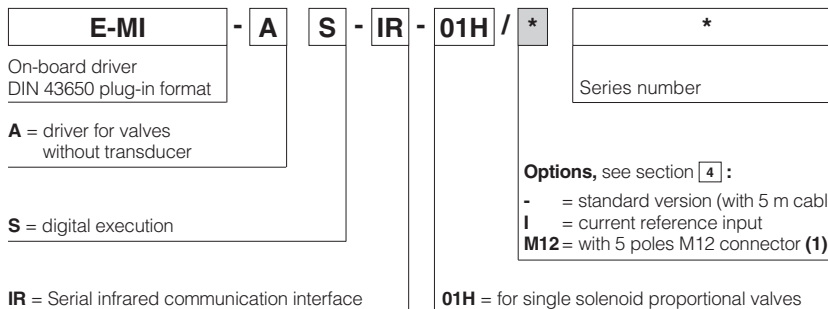


Digital electronic E-MI-AS-IR drivers

DIN 43650 plug-in format, for proportional valves without transducer

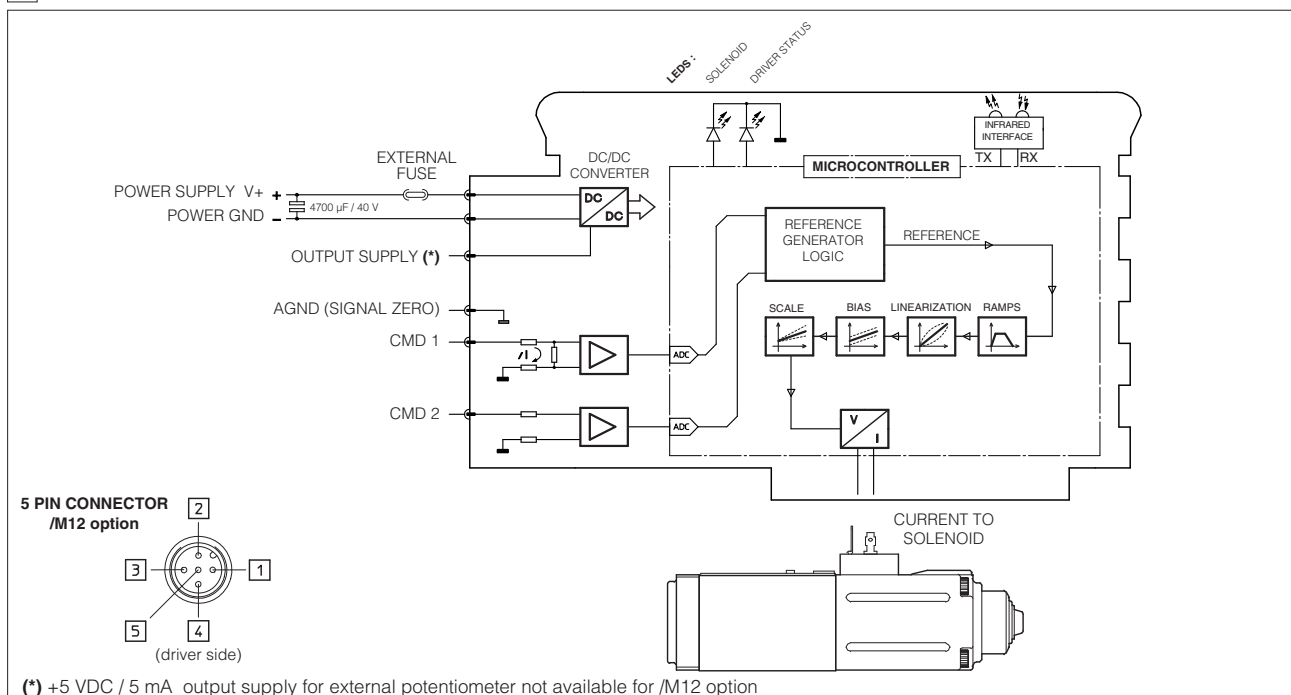


1 MODEL CODE



(1) ZH-5P female connector must be ordered separately

2 BLOCK DIAGRAM



E-MI-AS-IR

Digital drivers are designed for mounting on the solenoid's DIN connector of proportional valves without transducer. They supply and control the current to the solenoid according to the electronic reference input signal. The solenoid proportionally transforms the current into a force, acting on the valve spool or poppet, against a reacting spring, thus providing the valve's hydraulic regulation.

E-MI-AS drivers can drive single or double solenoid proportional valve.

Electrical Features:

- Standard 5m cable connection (1) or M12 connector (/M12 option)
- Infrared communication interface (2) to program the driver with Atos PC software
- 2 leds for diagnostics (see 9)
- +5 Vdc output supply for external reference potentiometer (not available for /M12 option)
- Operating temperature range: -20° + 50°
- Current reference input (/I option)
- Plastic box with IP65 protection degree and standard DIN43650 plug-in format with double earth connection to allow double-side orientation
- CE mark according to EMC directive

Software Features:

- Intuitive graphic interface
- Setting of valve's functional parameters: bias, scale, ramps, dither
- Linearization function for the hydraulic regulation
- 2 selectable modes for electronic reference signal: external analog input or internal generation
- Complete diagnostics of driver status

3 MAIN CHARACTERISTICS

| | | |
|---|--|--|
| Power supply (see 4.1) | Nominal: +24 V _{DC} Nominal: +12 V _{DC} | Rectified and filtered: $V_{RMS} = 20 \div 27 V_{MAX}$ (ripple max 10 % V_{PP}) Rectified and filtered: $V_{RMS} = 10 \div 14 V_{MAX}$ (ripple max 10 % V_{PP}) |
| Max power consumption | 50 W | |
| Current supplied to solenoids | $I_{MAX} = 2.7 A$ with +24 V _{DC} power supply to drive standard proportional valves (3,2 Ω solenoid) $I_{MAX} = 3.3 A$ with +12 V _{DC} power supply to drive proportional valves with /6 option (2,1 Ω solenoid) | |
| Reference input signal (1) (CMD1 - see 4.2) | Standard (voltage) Input range: 0 \div 10 V _{DC} /I option (current) Input range: 4 \div 20 mA / 0 \div 20 mA | Input impedance: $R_i > 50 k\Omega$ Input impedance: $R_i = 500 \Omega$ |
| Enable Input Signal (CMD2 - see 4.5) ON/OFF Input Signal (CMD1,CMD2 - see 4.6) | Input range: 0 \div 24 V _{DC} (OFF state: 0 \div 5 V _{DC} ; ON state: 9 \div 24 V _{DC}) Input impedance: $R_i > 10 k\Omega$ | |
| Output supply (see 4.4) | +5 V @ max 5 mA: output supply for external potentiometer (not available for /M12 option) | |
| Alarms | Solenoid coil not connected, short circuit and cable break with current reference signal (/I option) | |
| Format | Plastic box ; IP65 protection degree (when fixed on solenoid); DIN43650 format | |
| Operating temperature | -20 \div +50 $^{\circ}C$ (storage -25 \div +85 $^{\circ}C$) | |
| Mass | Standard version: 450 g; /M12 option: 70 g | |
| Additional characteristics | Short circuit protection of current output to solenoid | |
| Compliance | CE according to EMC directive 2014/30/EU (Immunity: EN 61000-6-2; Emission: EN 61000-6-4) RoHS Directive 2011/65/EU as last update by 2015/863/EU REACH Regulation (EC) n°1907/2006 | |
| Communication interface | Infrared, Atos protocol with ASCII coding; E-A-PS-USB/IR adapter is required (see section 5) | |
| Wiring cable characteristics | 2 poles x 0,5 mm ² plus 4 poles x 0,35 mm ² , external diameter 7,4 mm | |

(1) Negative reference input signal not allowed

4 POWER SUPPLY AND SIGNALS SPECIFICATIONS

4.1 Power supply

The power supply must be appropriately stabilized or rectified and filtered: apply at least a 10000 μF /40 V capacitance to single phase rectifiers or a 4700 μF /40 V capacitance to three phase rectifiers.

According to power supply value, a safety fuse is required in series to each driver:

+24 V_{DC} - 2,5 A time lag fuse

+12 V_{DC} - 4 A time lag fuse

4.2 Reference Input Signal (CMD1: yellow/pin 4, referred to AGND: white/pin 3)

The driver proportionally transforms the external reference signal input into the current supplied to the solenoid.

The driver is designed to receive one analog reference input (CMD1 on yellow/pin 4) referred to the analog electric ground (AGND on white/pin3) and with a maximum range of 0 \div 10 V_{DC}. Internal reference generation is software selectable (see 6.6).

Option /I (current reference input)

The reference input signal maximum range is software selectable among current 4 \div 20 mA (with cable break detection) or 0 \div 20 mA.

4.3 Output supply for external potentiometer - (OUTPUT SUPPLY: green, referred to AGND: white) - not available for /M12 option

The reference analog signal can be generated by an external potentiometer directly connected to the driver, using the +5V_{DC} supply output available at green wire thus generating the desired reference signal.

4.4 Enable Input Signal (CMD2: blue/pin 5, referred to AGND: white/pin 3)

Enable input signal allows to enable/disable the current supply to the solenoid, without removing the electrical power supply to the driver; it is used to maintain active the infrared connection and the other driver functions when the valve must be disabled for safety reasons.

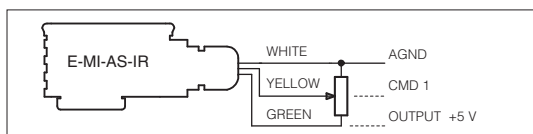
To enable the driver, supply a 24V_{DC} on CMD2 (blue/pin 5, referred to white/pin 3).

The polarity of the enable input can be customized and the enable function can be deactivated, see table at side.

4.5 ON/OFF Input Signals (CMD1: yellow/pin 4, CMD2: blue/pin 5)

When the driver is configured in internal reference generation mode (see 6.6), both reference input (CMD1) and enable input (CMD2) are managed as ON/OFF input signals. In this mode they are used to select the active reference signal, among the available stored values.

4.6 Possible combined options: /IM12



| ENABLE CONFIGURATION | | | |
|-----------------------------|------------------|------------------|-------------|
| Signal | default polarity | reverse polarity | deactivated |
| 9 \div 24 V _{DC} | solenoid ON | solenoid OFF | solenoid ON |
| 0 \div 5 V | solenoid OFF | solenoid ON | solenoid ON |

5 VALVE SETTINGS AND PROGRAMMING TOOLS - see tech. table GS500

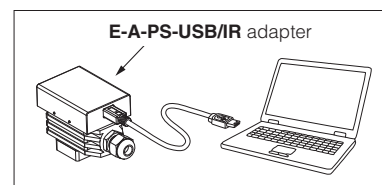
Free downloadable software for PC allows to set all valve functional parameters and to access complete diagnostic information of digital drivers via infrared adapter.

Atos E-SW-SETUP PC software supports all Atos digital valve drivers and it is available at www.atos.com in MyAtos area.



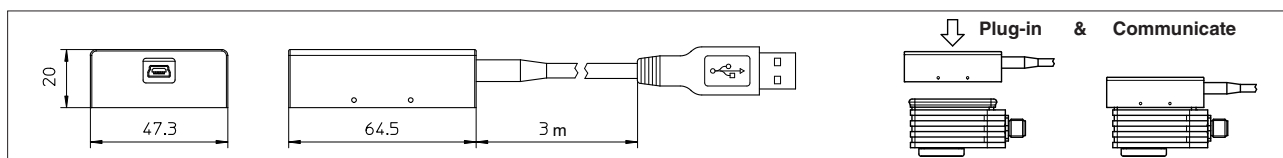
WARNING: drivers USB port is not isolated!

Infrared connection



Adapter, to be ordered separately :

E-A-PS-USB/IR = adapter from USB connector (PC communication port) to driver infrared communication interface: plug the adapter on the driver to establish the infrared communication



6 MAIN SOFTWARE PARAMETER SETTINGS

The following is a brief description of the main settings and features of digital drivers. For a detailed descriptions of available settings, wirings and installation procedures, please refer to the user manual included in the E-SW-SETUP programming software:

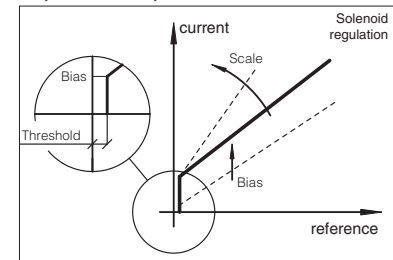
E-MAN-MI-AS - user manual for **E-MI-AS-IR**

6.1 Scale

Scale function allows to set the maximum current supplied to the solenoid, corresponding to the max valve regulation, at maximum reference signal value.

This regulation allows to adapt the maximum current supplied from the driver to the specific nominal current of the proportional valves to which the driver is coupled; it is also useful to reduce the maximum valve regulation in front of maximum reference signal.

6.1, 6.2 - Scale, Bias & Threshold



6.2 Bias and Threshold

Proportional valves may be provided with a dead band in the hydraulic regulation corresponding to their switch-off status.

This dead band discontinuity in the valve's regulation can be compensated by activating the Bias function, which adds a fixed preset Bias value to the reference signal (external input or internally generated).

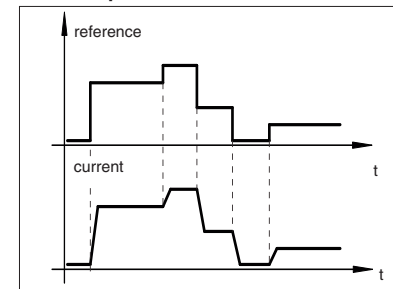
The Bias function is activated when the reference signal overcome the Threshold value, preset into the driver.

The Bias setting allows to calibrate the Bias current supplied to the solenoid of the specific proportional valve to which the driver is coupled.

The Threshold setting is useful to avoid undesired valve regulation at zero reference signal when electric noise is present on the analog input signal: smaller threshold reduces the reference signal dead band, greater values are less affected by electric noise presence.

If internal reference generation is active (see 6.6), threshold should be set to 0.

6.3 - Ramps



6.3 Ramps

The ramp generator allows to convert sudden change of electronic reference signal into smooth time-dependent increasing/decreasing of the current supplied to the solenoid.

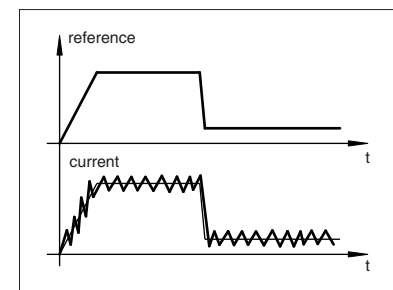
Different ramp mode can be set:

- single ramp for any reference variation
- two ramps for increasing and for decreasing reference variations

Ramp generator is useful for application where smooth hydraulic actuation is necessary to avoid machine vibration and shocks.

If the proportional valve is driven by a closed loop controller, the ramps can lead to unstable behaviour, for these applications ramp function can be software disabled (default setting)

6.4 - Dither



6.4 Dither

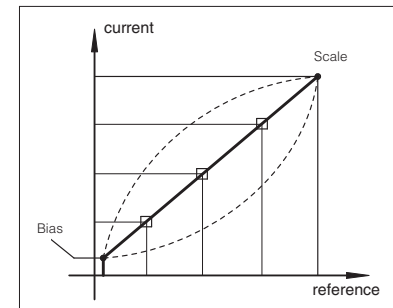
The dither is an high frequency modulation of the current supplied to the solenoid, to reduce the hysteresis of the valve's regulation: a small vibration in the valve's regulating parts considerably reduces static friction effects.

Dither frequency can be set in a range from 80 to 500 Hz (default value is 200Hz).

Lower dither setting reduces the hysteresis but also reduces the regulation stability. In some application this can lead to vibration and noise: right setting usually depends on system setup.

Default dither is a valid setting for a wide range of hydraulic applications

6.5 - Linearization



6.5 Linearization

Linearization function allows to set the relation between the reference input signal and the current supplied to the solenoid.

Linearization is useful for applications where it is required to linearize the valve's regulation in a defined working condition (e.g. maximum pressure control at defined working flow)

6.6 Internal Reference Generation

Internal generation of reference values is software selectable.

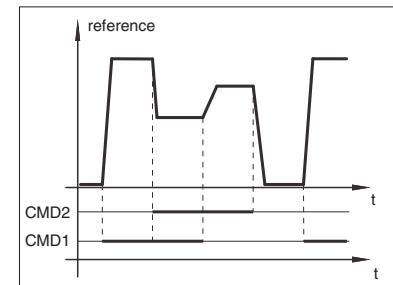
In this mode the 2 driver inputs (see 4.6) allow to select the desired solenoid current reference signal, among the different internal stored values: external control unit can thus manage complex machine profile by simple switching of the reference signal, by 2 digital inputs (see 4.6).

Each digital input combination corresponds to a different reference value; up to 4 different internal values are available:

| | Internal generated references | | | |
|------|-------------------------------|--------|--------|--------|
| | REF1 | REF2 | REF3 | REF4 |
| CMD1 | 0 | 24 Vdc | 24 Vdc | 0 |
| CMD2 | 0 | 0 | 24 Vdc | 24 Vdc |

A different ramp time value can be set by software for each available stored reference value.

6.6 - Internal Reference Generation



7 CONNECTIONS

| Standard cable wire color | /M12 option pin | SIGNAL | TECHNICAL SPECIFICATIONS | NOTES |
|---------------------------|-----------------|--------------------|--|------------------------|
| RED | 1 | V+ | Power supply +24 V _{DC} or +12 V _{DC} (see 4.1) | Input - power supply |
| BLACK | 2 | V0 | Power supply 0 V _{DC} | |
| WHITE | 3 | AGND (Signal zero) | Ground for CMD1, CMD2 and OUTPUT SUPPLY | Input - analog signal |
| GREEN | N.A. | OUTPUT SUPPLY | +5 V _{DC} @ 5 mA output supply for external potentiometer (not available for option /M12) (see 4.4) | Output - analog signal |

The two input signals CMD1 and CMD2 can be managed as analog input or ON/OFF signals; their function depends on the selected software setting:

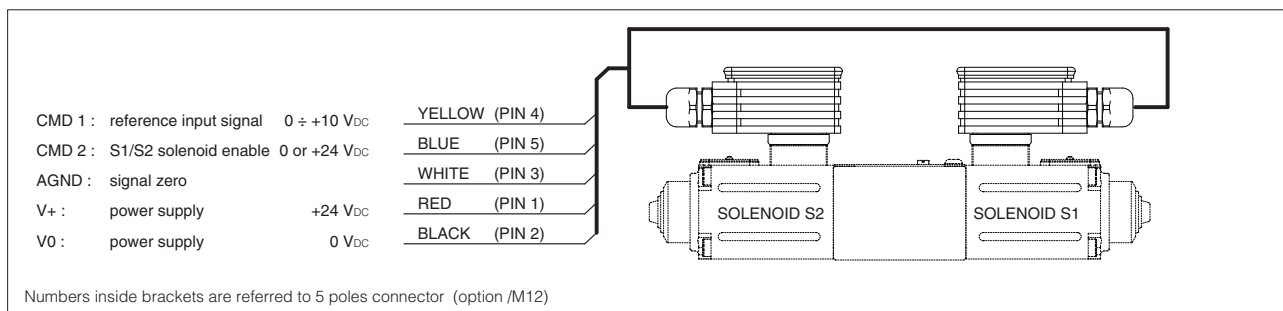
| Standard cable wire color | /M12 option pin | SIGNAL | TECHNICAL SPECIFICATIONS (software setting dependent) | | NOTES |
|---------------------------|-----------------|--------|---|--|---------------------------|
| | | | Default (see 4.2 ; 4.5) | Internal Reference Generation (see 4.6 ; 6.6) | |
| YELLOW | 4 | CMD 1 | Reference analog input: 0 ÷ 10 V _{DC} (4 ÷ 20 mA; 0 ÷ 20 mA for /I option) | ON/OFF: 24 V _{DC} / 0 V _{DC} | Input - analog or digital |
| BLUE | 5 | CMD 2 | Enable/disable the driver: 24V _{DC} / 0V _{DC} | ON/OFF: 24 V _{DC} / 0 V _{DC} | |

8 DOUBLE SOLENOID VALVES OPERATION

It is possible to use two E-MI-AS drivers to operate one double solenoid proportional valve supplying the same analog signal to both CMD1 inputs reference. The enable input signal is used to select which driver/solenoid has to be active.

To operate double solenoid valves it is required to:

- parallel wire the two drivers (see following scheme).
- select opposite polarity (default and reverse) for the two enable signals (see 4.5)
- manage from PLC or machine unit: 1 analog reference signal corresponding to desired valve's regulation and 1 ON/OFF signal to select the active solenoid.

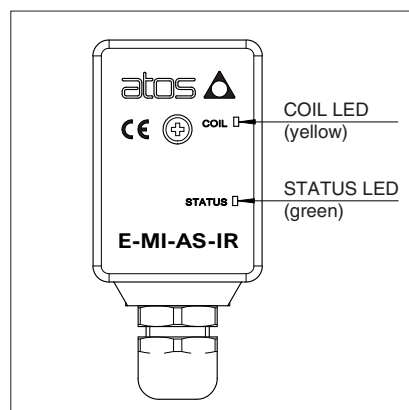


9 DIAGNOSTIC LEDS

It is possible to verify the actual status of solenoid command (yellow LED) and the driver status (green LED).

The following table details the possible displayed conditions:

| COIL (YELLOW LED) | |
|------------------------|----------------------------------|
| Light signal displayed | Coil status |
| Light Off | PWM command OFF |
| Light On | PWM command ON |
| Slow blinking | Solenoid not connected |
| Fast blinking | Short circuit on the solenoid |
| STATUS (GREEN LED) | |
| Light signal displayed | Driver status |
| Light Off | Absence of power supply |
| Light On | Malfunctioning |
| Slow blinking | Driver disabled or Alarm present |
| Fast blinking | Driver enabled |



10 OVERALL DIMENSIONS [mm] AND INSTALLATION

