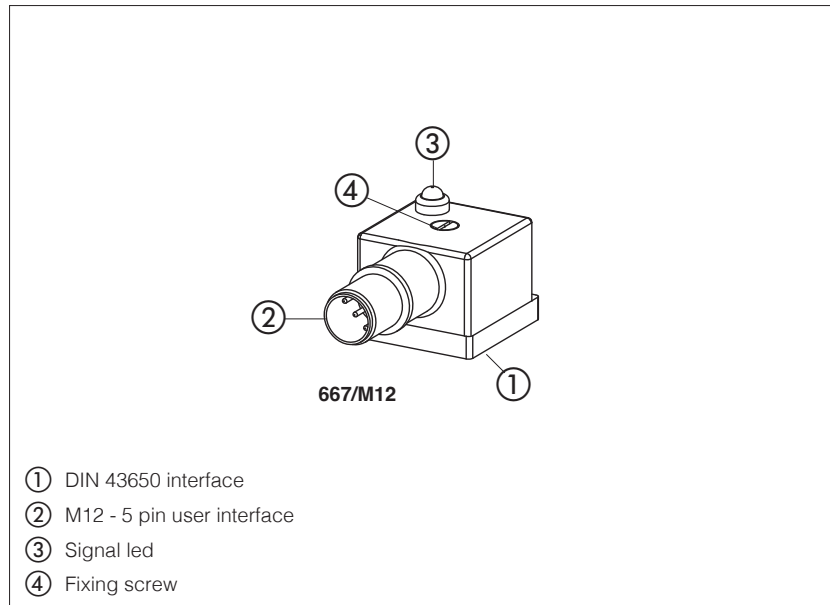


# Din electric connectors with M12 interface

DIN 43650 standard coil connection and M12 user interface

**Availability and price only on request**



Electric connectors with standard DIN 43650 solenoid interface and M12, 5 pin interface to the user side.

The connector includes integral signal led and VDR, to protect against peak of overvoltage.

**Applications**

Connector with M12 interface are particularly used in industrial sectors like machine tools and automotive.

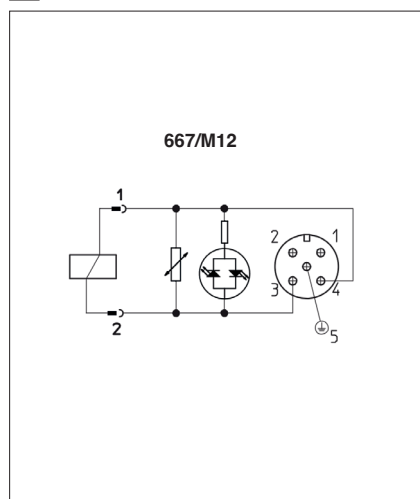
**1 MODEL CODE**

<b>667</b>	/	<b>M12</b>
Connector with coil electrical interface according to DIN43650, built in signal led and VDR, to protect against peak of overvoltage		5 pin connector for electrical interface to the end user side

**2 ELECTRIC CHARACTERISTICS**

Connector model		<b>667/M12</b>
Normal voltage	[V]	24 DC
Max current	[A]	4
Protection degree		IP65

**3 ELECTRIC CONNECTIONS**



**4 DIMENSIONS**

